

## Z645 12-1/2" X 12-1/2" HEAVY-DUTY DRAIN



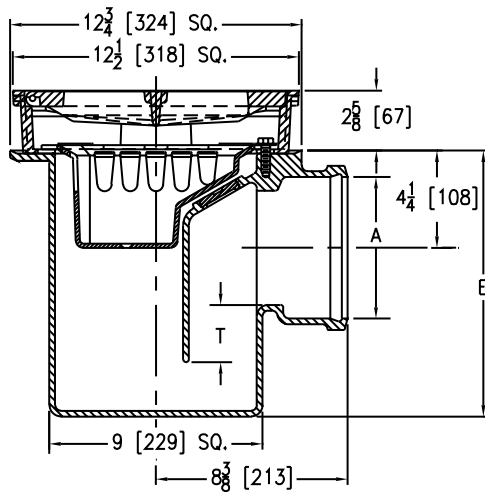
### ENGINEERING SPECIFICATION

Zurn Z645 12-1/2" x 12-1/2" top drain features Dura-Coated cast iron body with side outlet, internal trap with bronze cleanout plug, seepage pan, and combination membrane flashing clamp and frame for cast iron, hinged, heavy-duty, slotted grate with suspended aluminum sediment bucket.

### NOTES

\*Add 3/16" to 2-5/8" dimension and 3/4" to 12-1/2" dimension for ZB and ZN

Dimensions in inches [mm]		Grate Open Area sq in [cm <sup>2</sup> ]	Approximate Weight lb [kg]
A Pipe Size	M		
3 [76]	3-1/2 [89]	44 [284]	112 [51]
4 [102]	3 [76]		



PREFIXES	DESCRIPTION	PIPE SIZE	LIST PRICE
Z645*	D.C.C.I. Body and Top	3", 4"	2,566.00
ZB645	D.C.C.I. Body with Polished Bronze Top	3", 4"	3,379.00
ZN645	D.C.C.I. Body with Polished Nickel Bronze Top	3", 4"	3,657.00

OUTLETS (SPECIFY PIPE SIZE IN INCHES AND TYPE OF OUTLET)			
OUTLET TYPE	PIPE SIZE/OUTLET TYPE	E BODY HT. DIM.	ADD
IC	Inside Caulk	3IC, 4IC	11-5/8" N/C
SUFFIXES			ADD
-AR	Acid Resisting Epoxy Coated Cast Iron		1,660.00
-G	Galvanized Cast Iron		1,458.00
-P	Trap Primer Connection (Specify 1/2" or 3/4")		150.00
-VP	Vandal-Proof Secured Top		149.00
BEST SELLER			LIST PRICE
Z645-4IC			2,566.00

Supplied By:



877-903-7246

www.commercialplumbingsupply.com